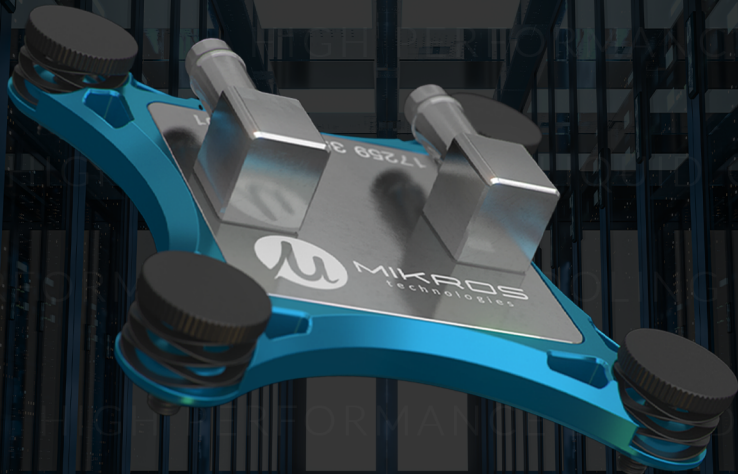


# MIKROS AX-50

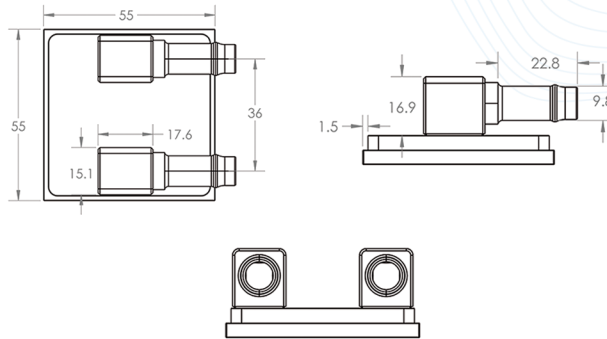


## OPTIMIZE | COOL | EVALUATE

### ABOUT THE AX-50

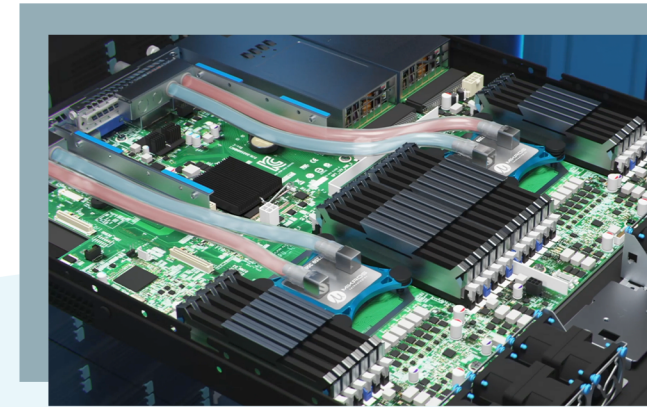
The Mikros AX-50 is a high performance cold plate in Mikros' first-level Ascutney series. Utilizing our internal MikroMatrix cooling technology, the AX-50 combines high cooling capacity with low pressure drop for efficient thermal management of most high heat flux applications

### DESIGN SKETCHES



### KEY FEATURES

- High cooling efficiency & low pressure drop
- Thumb screw mount attachment for easy installation and removal
- Helium leak and thermal tested for over 18 years
- To order: [info@mikros.net](mailto:info@mikros.net)



## Ascutney Series Technology

**COOLING CAPACITY** as high as 120 W/C° at 2LPM

**LOW PRESSURE DROP** near 15 kPa (2 psi) at 2 LPM

**NAMING SCHEME** AX-xyyy-z<sub>1</sub>z<sub>2</sub>

**TAILORED COOLING** available with 0 degree temp gradients

**ACTIVE AREA DIMENSIONS** 50 mm x 50 mm

**HIGH COOLING VALUE** average \$0.25 per Watt dissipated\*

**xx**= x-dimension (barb direction)  
**yy**= y-dimension

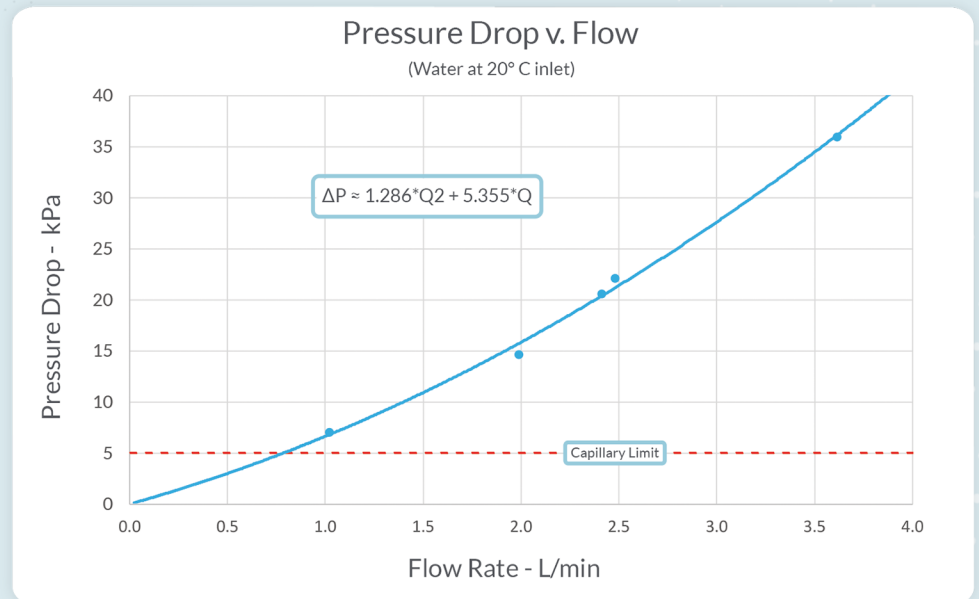
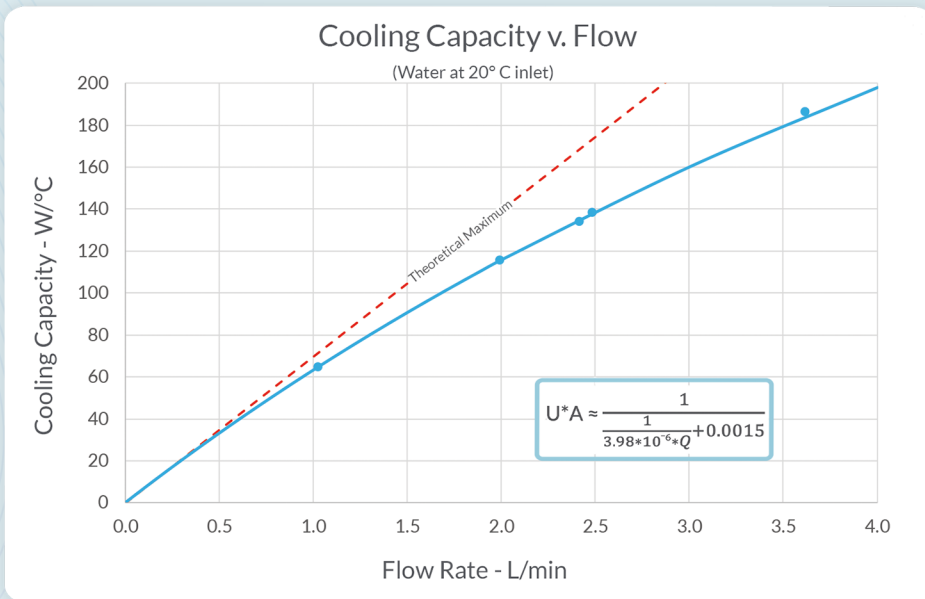
**Z<sub>1</sub>** = Flow Rate: [H]igh, [L]ow  
**Z<sub>2</sub>** = Barb Type: [S]traight, [N]inety-Deg



# AX-50



## AX-50 Performance Characteristics with Water



**Would you like to purchase an AX-50 cold plate?**

Follow us on the web [www.mikrostechnologies.com](http://www.mikrostechnologies.com) for more information about this sytem. Still have questions and want to learn more? Email us at [info@mikros.net](mailto:info@mikros.net).

For a digital version scan here:

